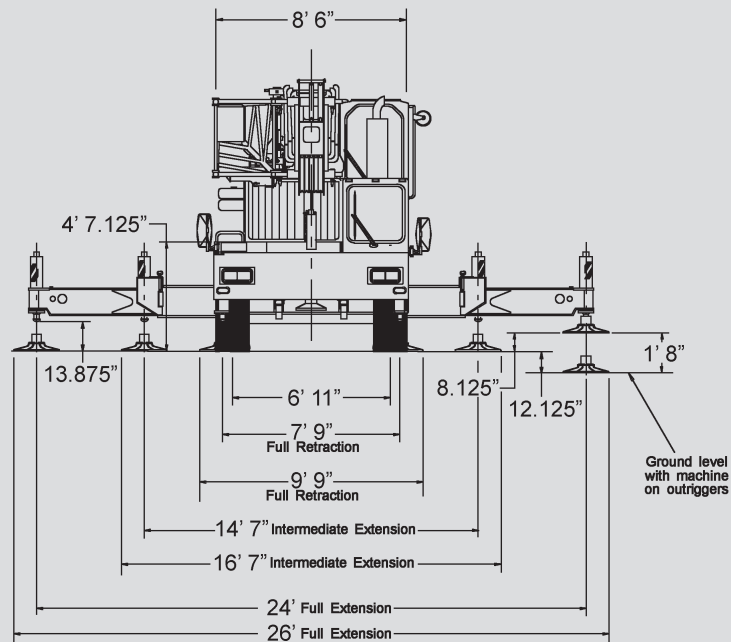
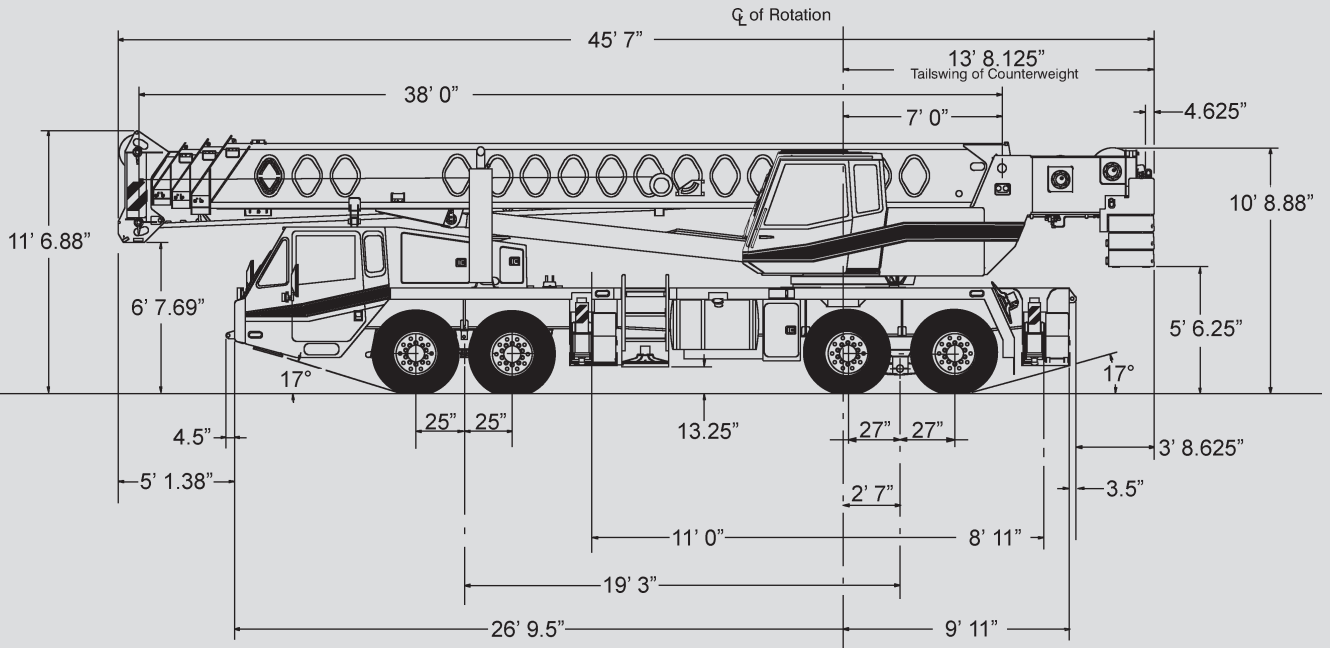




70 t Truck Crane



Carry Decks

Boom Trucks

Rough Terrain Cranes

All Terrain Cranes

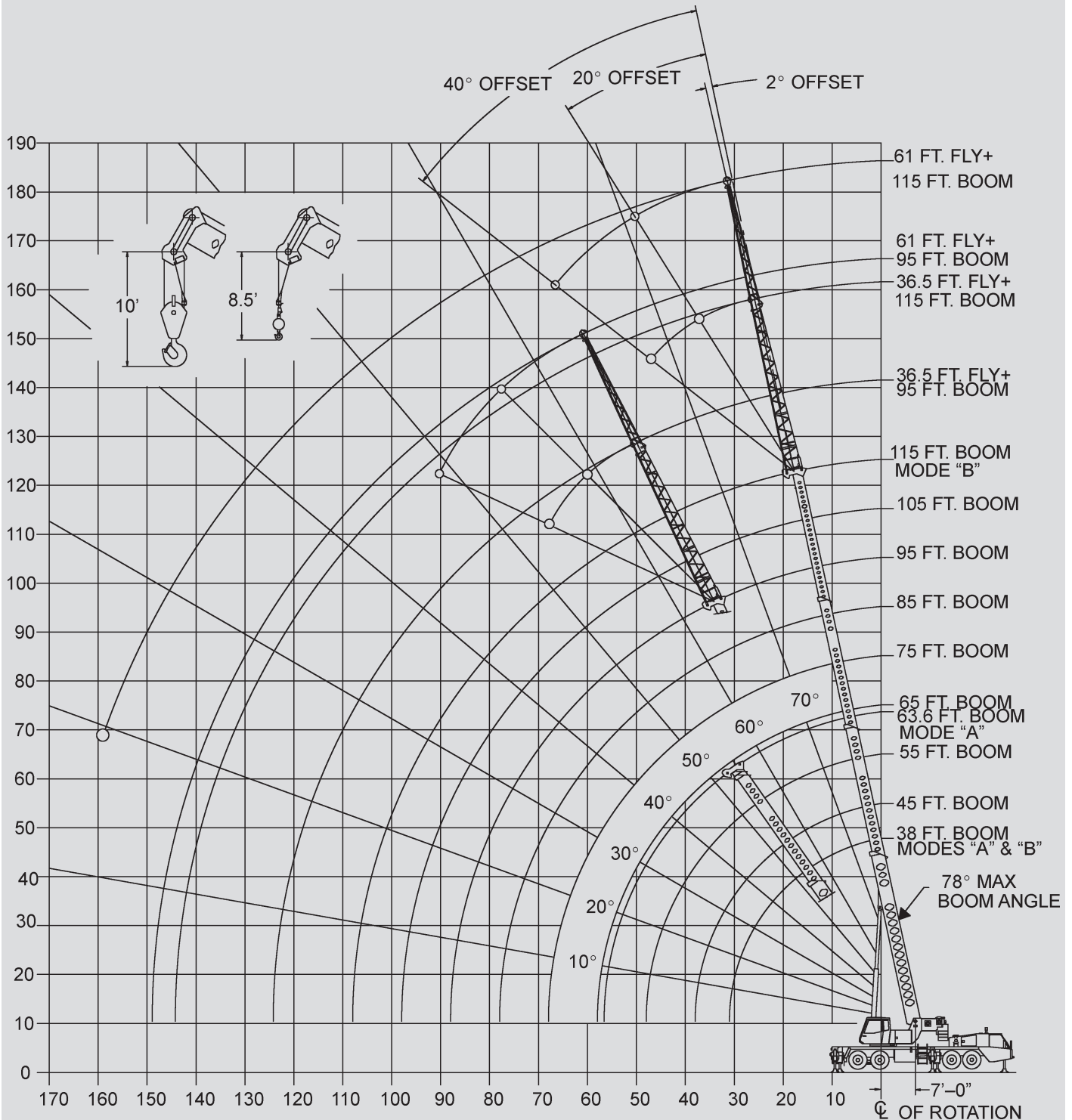
Truck Cranes

Crawler Cranes





Access Platforms

Fork Lifts

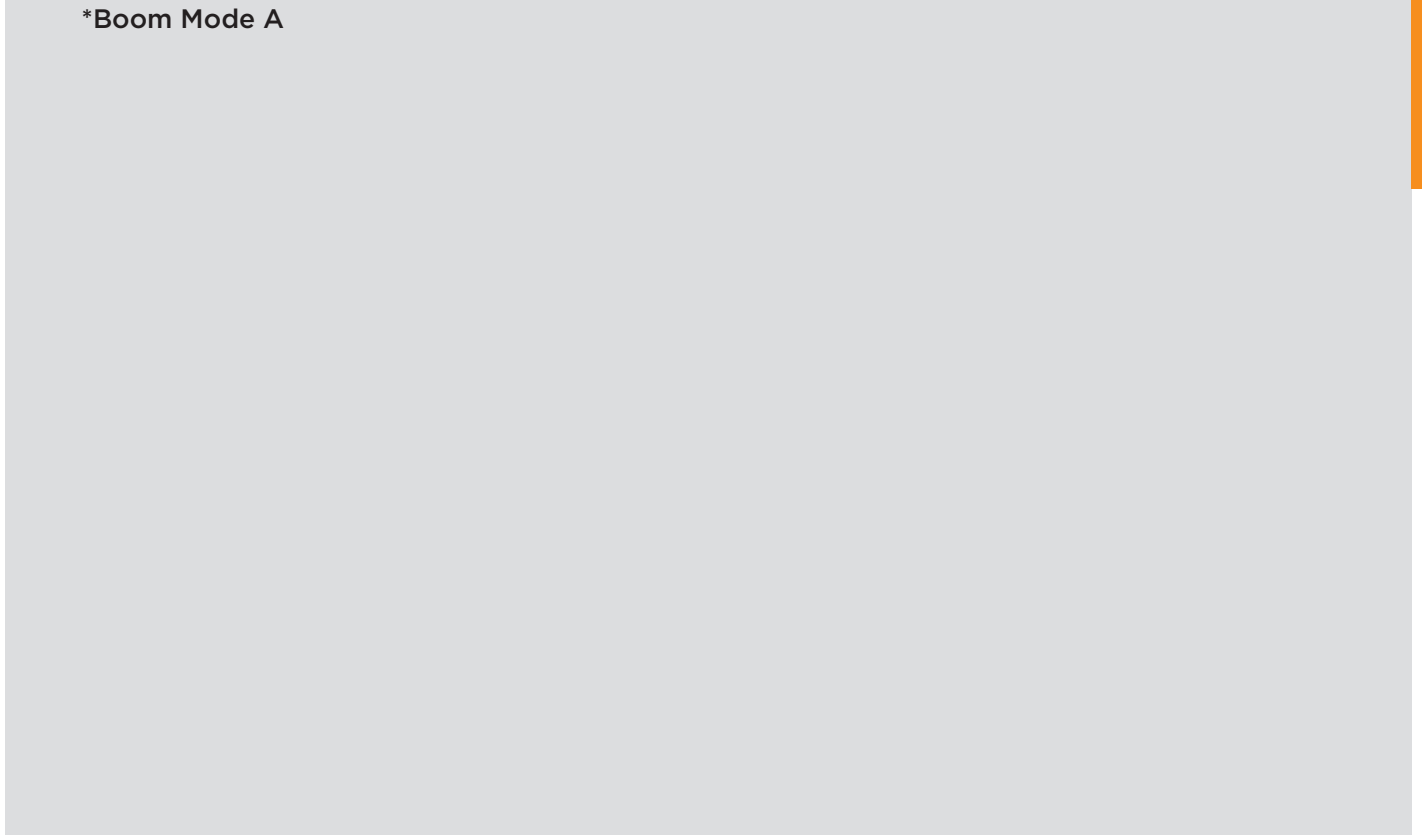
Working range





   											
38-115 ft			16,000 lbs			19'11"x24'			360°		
100%											
ft	38*	45*	55*	60.3*	65	75	85	95	105	115	ft
9	140										9
10	132	87.4	85.6								10
12	116.9	87.4	85.6	56.3	42						12
15	100.2	87.4	85.6	56.3	42	42	42				15
20	75.9	75.5	75	53	42	42	42	38.6			20
25	58.7	58.3	57.9	44.9	42	42	41.8	33.8	30.3	24.5	25
30	45.4	45.1	44.4	38.7	42	42	36.9	29.8	27	24.5	30
35		34.5	34.1	33.7	36.6	36.8	32.9	26.6	24.1	22.2	35
40			27	26.7	29.4	29.6	29.7	23.9	21.7	20	40
45			21.8	21.6	24.3	24.5	24.6	21.7	19.6	18.1	45
50				17.7	20.3	20.6	20.7	19.8	17.9	16.3	50
55				14.6	17.2	17.5	17.6	17.7	16.2	14.9	55
60						15	15.1	15.2	14.9	13.6	60
65						12.9	13.1	13.2	13.3	12.5	65
70							11.4	11.6	11.6	11.6	70
75							9.9	10.1	10.2	10.3	75
80								8.8	8.9	9	80
85								7.7	7.8	7.8	85
90									6.8	6.9	90
95									5.9	6	95
100										5.2	100
105										4.6	105

\*Boom Mode A



Carry Decks  
 Boom Trucks  
 Rough Terrain Cranes  
 All Terrain Cranes  
 Truck Cranes  
 Crawler Cranes  
 Access Platforms  
 Fork Lifts

Call us (888) 972-7263



70 t | Truck Crane

115 ft	36,5/61 ft	16,000 lbs	19'11"x24' 100%	360°

ft	2°	36.5 20°	40°	2°	61 20°	40°	ft
35	10.5						35
40	10.5			7.1			40
45	10.5	9.2		7.1			45
50	10.5	8.9		7.1			50
55	10.5	8.6	6.8	7			55
60	10.5	8.2	6.6	6.7	4.9		60
65	10.2	8	6.5	6.4	4.7		65
70	9.5	7.7	6.3	6.2	4.5		70
75	8.7	7.4	6.2	5.9	4.3		75
80	8	7.2	6.1	5.6	4.2	3.3	80
85	7.4	7	6	5.3	4	3.2	85
90	6.9	6.8	5.9	5.1	3.9	3.1	90
95	6.4	6.5	5.8	4.8	3.7	3	95
100	5.9	6.1	5.7	4.6	3.6	3	100
105	5.5	5.6	5.7	4.4	3.5	2.9	105
110	4.9	5.2	5.4	4.2	3.4	2.9	110
115	4.3	4.7	4.9	4	3.3	2.8	115
120	3.8	4.1	4.3	3.8	3.2	2.8	120
125	3.3	3.6		3.4	3.1	2.8	125
130	2.9	3.1		3.1	3	2.7	130
135	2.5	2.7		2.9	2.9	2.7	135
140	2.2	2.3		2.6	2.8	2.7	140
145				2.3	2.5	2.7	145
150				2	2.3		150
155				1.7	2		155
160				1.4	1.6		160